

FEATURES & SPECIFICATIONS

INTENDED USE — Intended for use in retail stores, warehouses, manufacturing facilities or any other applications where an open optical with a high lumen package in a compact fixture is required.

Certain chemicals that may exist in end-user locations release airborne contaminants that can impact the integrity and safety of key fixture components. Please refer to the environmental compatibility chart located in the Product Selection Guide and/or the company website to ensure that these chemical interactions are considered when selecting fixtures. For additional information please consult an authorized factory representative. **Certain airborne contaminants can diminish integrity of acrylic.** [Click here for Acrylic Environmental Compatibility table for suitable uses.](#)

CONSTRUCTION — Product is specifically designed for operation with T5HO lamps. Channel and louvers are formed from cold-rolled, 20-gauge steel. No asbestos is used in this product.

End caps include knockouts for through wiring and fixture attachment in row mounting applications. Compact sockets feature rotating collars and enclosed contacts.

Convenient access plate is located on the back of the channel for easy access to the wiring compartment. Finish: High-gloss, baked white enamel finish. Five-stage iron-phosphate pretreatment ensures superior paint adhesion and rust resistance.

OPTICS — The Narrow Distribution (ND) includes a Miro4™ parabolic reflector system to provide high vertical and good horizontal illumination for aisle or rack lighting where additional punch down and out is required. The Wide Distribution (WD) is ideal for general area lighting at higher mounting heights or where widespread distribution is preferred. Optional uplight component softens ceiling appearance to reduce the "cavern effect".

ELECTRICAL — Thermally protected, resetting, Class P, HPF, A+ sound rated electronic ballast. AWM TFM or THHN wire used throughout, rated for required temperatures. All ballasts are available for use in standard ambient temperatures.

Consult factory for elevated ambient temperature applications.

INSTALLATION — A variety of mounting arrangements are available including tong hangers, aircraft cables and stems. Suitable for mounting in continuous row or individual mounting.

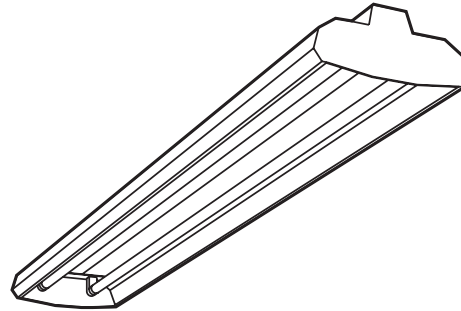
LISTINGS — UL listed for 25°C ambient temperatures. CSA optional (consult factory).

WARRANTY — 1-year limited warranty. Complete warranty terms located at www.acuitybrands.com/CustomerResources/Terms_and_conditions.aspx

Actual performance may differ as a result of end-user environment and application.

Note: Specifications subject to change without notice.

Catalog Number
Notes
Type



T5
Technology

T5 Direct Open

MS5HB

4' or 8' Lengths
2 or 3 Lamps

Specifications

Length: 46-1/8 (117.2)

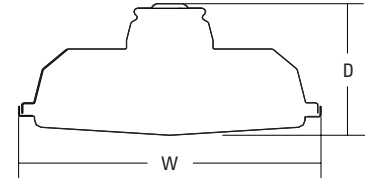
92-1/8 (234.0)

Width: 9-3/4 (24.8)

Depth: 4-1/4 (10.8)

Weight: 27.8 lbs (12.6 kg)

All dimensions are inches (centimeters) unless otherwise indicated.



ORDERING INFORMATION

For shortest lead times, configure product using **standard options (shown in bold)**.

Example: MS5HB 3 54T5HO ND MVOLT GEB10PS

Series	Number of lamps	Lamp type	Distribution	Voltage	Ballast	Options
MS5HB	2	28T5 28W T5 (46")	ND Narrow	MVOLT²	GEB10PS Electronic program rapid start ballast, <10% THD	1/3 One, 3-lamp ballast ³
MS5HBST	3	54T5HO 54W T5HO (46")	WD Wide	347		1/4 One, 4-lamp ballast ³
For tandem double-length unit, add prefix T. Example: TMS5HB	Not included.			480 ³		1/4 1/2 One, four-lamp ballast and one, two-lamp ballast ^{3,4}
						GLR Internal fast-blow fuse ⁵
						GMF Internal slow-blow fuse ⁵
						EL55 Emergency battery pack (nominal 390-700 lumens) ⁶
						MSI Occupancy sensor pre-wired ⁵
						CSA CSA Certified
						PBTSTKT Polybutylene terephthalate sockets

Accessories: Order as separate catalog number.

MSHBAC_	Adjustable aircraft cable support (non-feed), (specify length as 36, 72 or 120 inches) ⁷
MSHBACF_	Aircraft cable feed and support (specify length as 36, 72 or 120 inches) (three-wire cable) ⁷
MSHBAC2F_	Adjustable aircraft cable system with power feed (four-wire cable) (specify length as 36, 72 or 120 inches) ⁷
THMS5HB	Tong hanger
SQ_	Swivel stem hanger (specify length in 2" increments)
HC36	Chain hanger - 36"
WGMS5HBZ	4' wire guard, zinc coated

Notes

- Available in two-lamp configurations only.
- MVOLT (120-277 volt).
- 54T5HO only.
- Available on tandem units only.
- Specify voltage.
- Must specify voltage; 120 or 277 only.
- One cable per package.

MS5HB T5 Direct Open

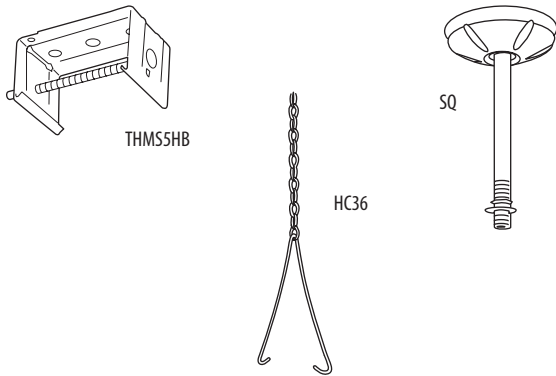
MOUNTING DATA

For unit or row installation, surface or stem mounting.

Unit installation – Minimum of two hangers required.

Row installation – One hanger per channel plus one per row required.

Hanging devices illustrated below.



DIMENSIONS

All dimensions are inches (centimeters) unless otherwise indicated.

A = 7/8 (2.2) KO

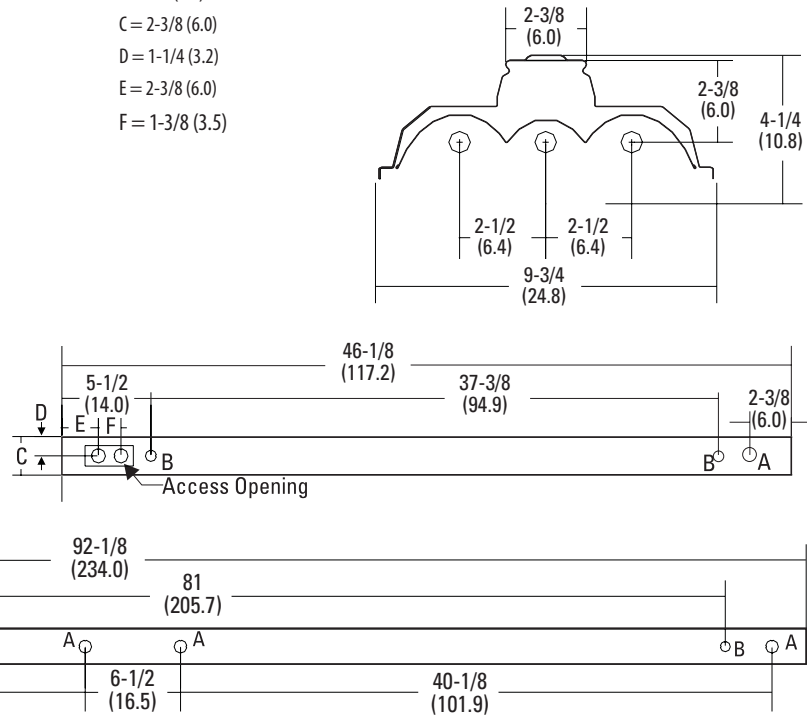
B = 3/4 (1.9) KO

C = 2-3/8 (6.0)

D = 1-1/4 (3.2)

E = 2-3/8 (6.0)

F = 1-3/8 (3.5)



PHOTOMETRICS

Calculated using the zonal cavity method in accordance with IESNA LM41 procedure. Floor reflectances are 20%. Lamp configurations shown are typical. All data based on 25°C. Full photometric data on these and other configurations available upon request.

MS5HB 3 54T5HO ND

Report LTL 11057

Lumens per lamp - 4400 – Lum. eff. - 101.5%

Coefficient of Utilization

Floor Ceiling	80%			20%			30%		
	70%	50%	30%	50%	30%	10%	50%	30%	10%
0	120	120	120	112	112	112	107	107	107
1	111	106	102	99	96	93	95	92	90
2	101	93	87	88	83	78	84	80	76
3	93	83	75	78	72	67	75	70	65
4	86	74	66	70	63	58	68	62	57
5	79	67	58	63	56	51	61	55	50
6	74	61	52	58	51	45	56	50	45
7	69	56	47	53	46	41	51	45	40
8	64	51	43	49	42	37	48	41	36
9	60	47	39	45	38	33	44	38	33
10	57	44	36	42	35	31	41	35	31

Zonal Lumens Summary

Zone	Lumens	%Lamp	%Fixture
0-30	4598	34.8	34.3
0-40	6942	52.6	51.8
0-60	10732	81.3	80.1
0-90	13190	99.9	98.5
90-180	201	1.5	1.5
0-180	13392	101.5	100.0